

DARDOUMAS



...50 years at your service!

Knuckle Boom Crane

EFFER 1000 9S + 6S JIB

Steady Full Matic Rotated Basket

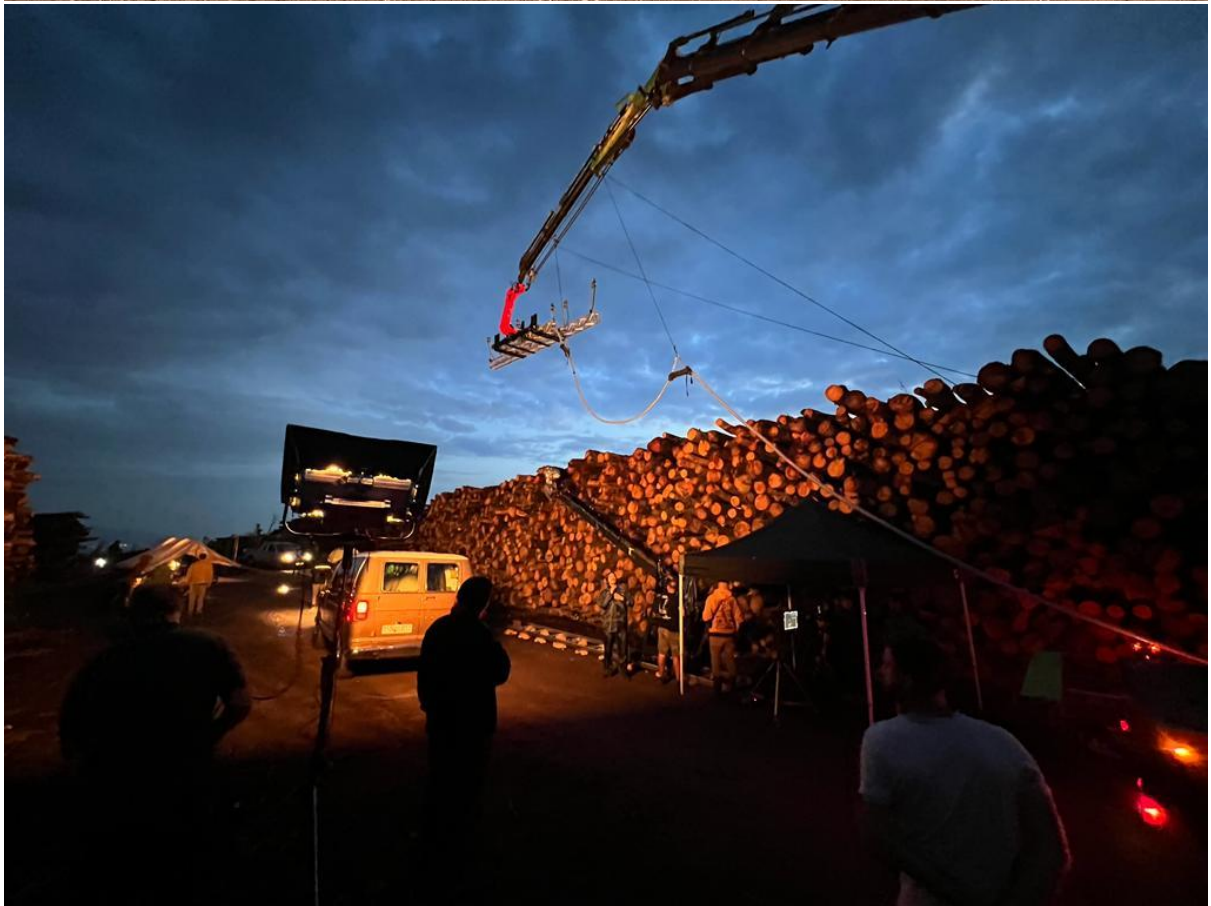
360° Hydraulic Rotated Fork

Photos – Tech Specifications



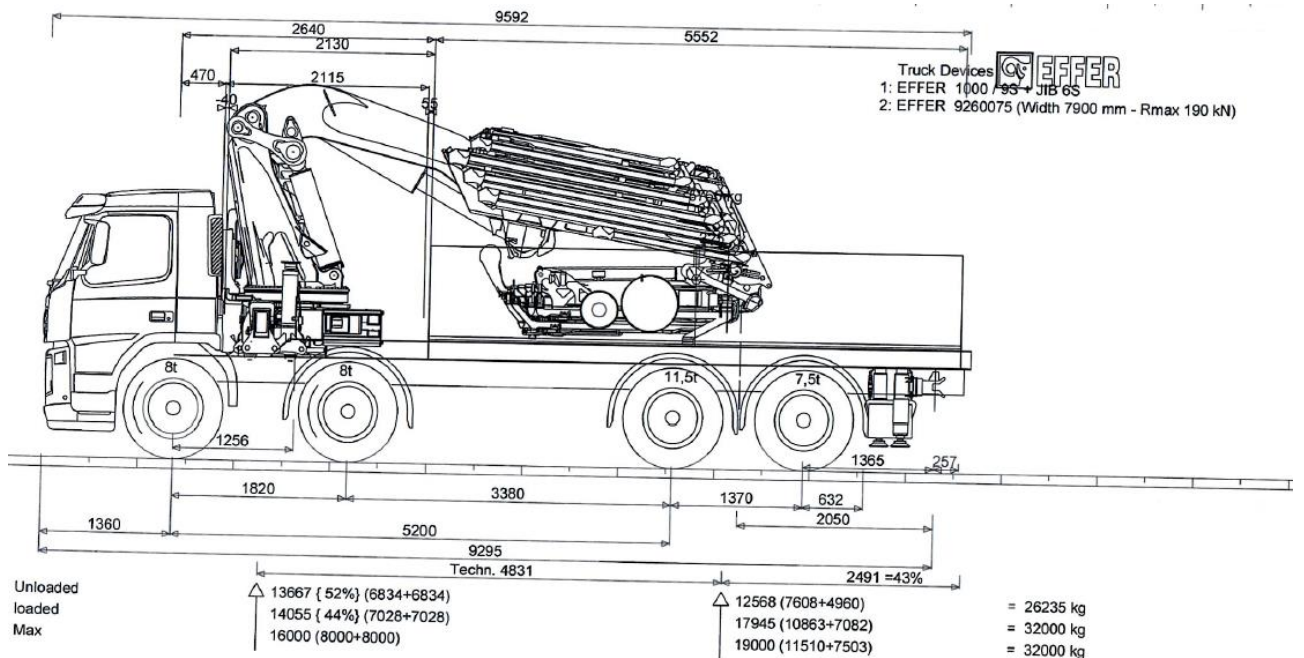






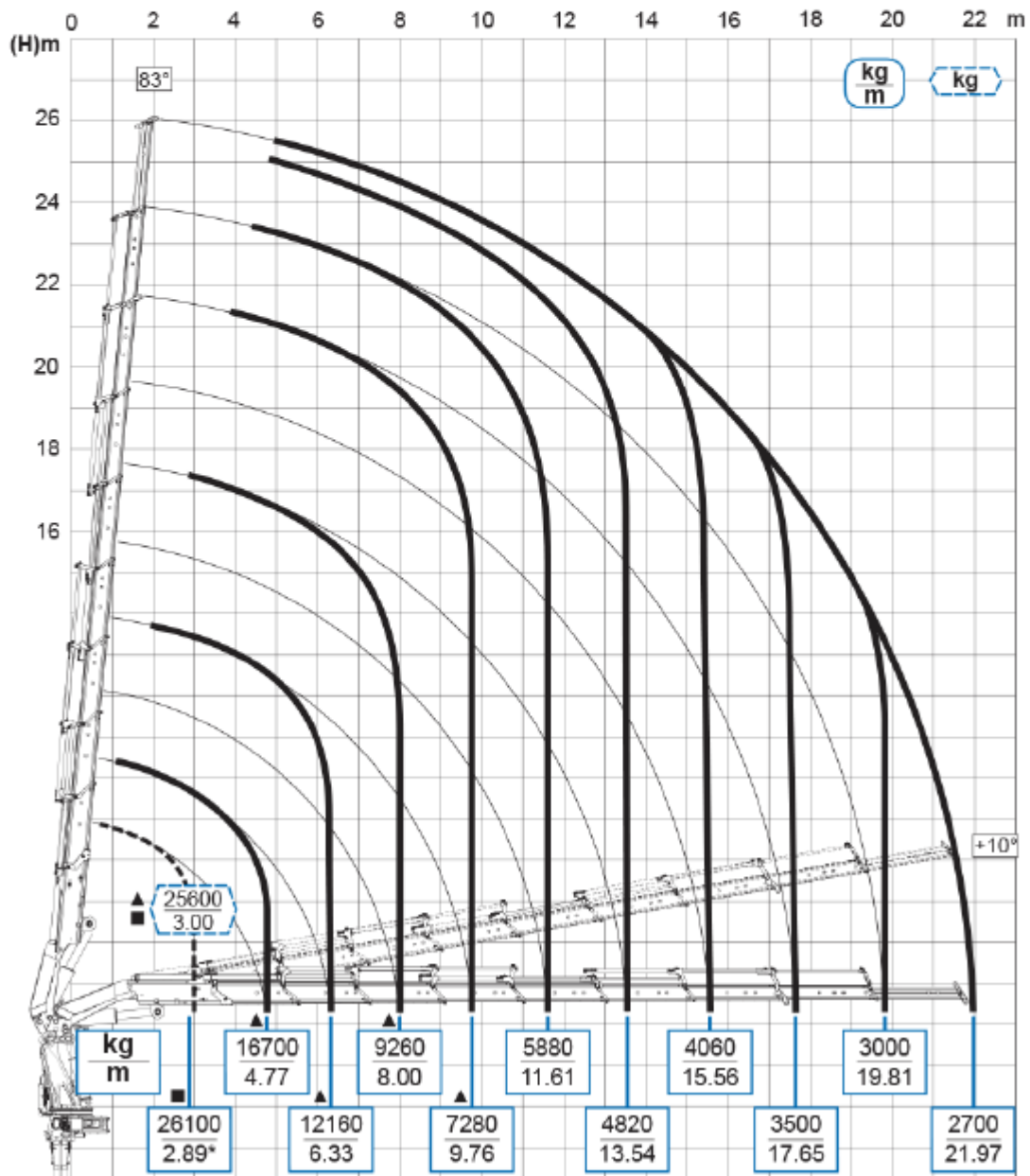




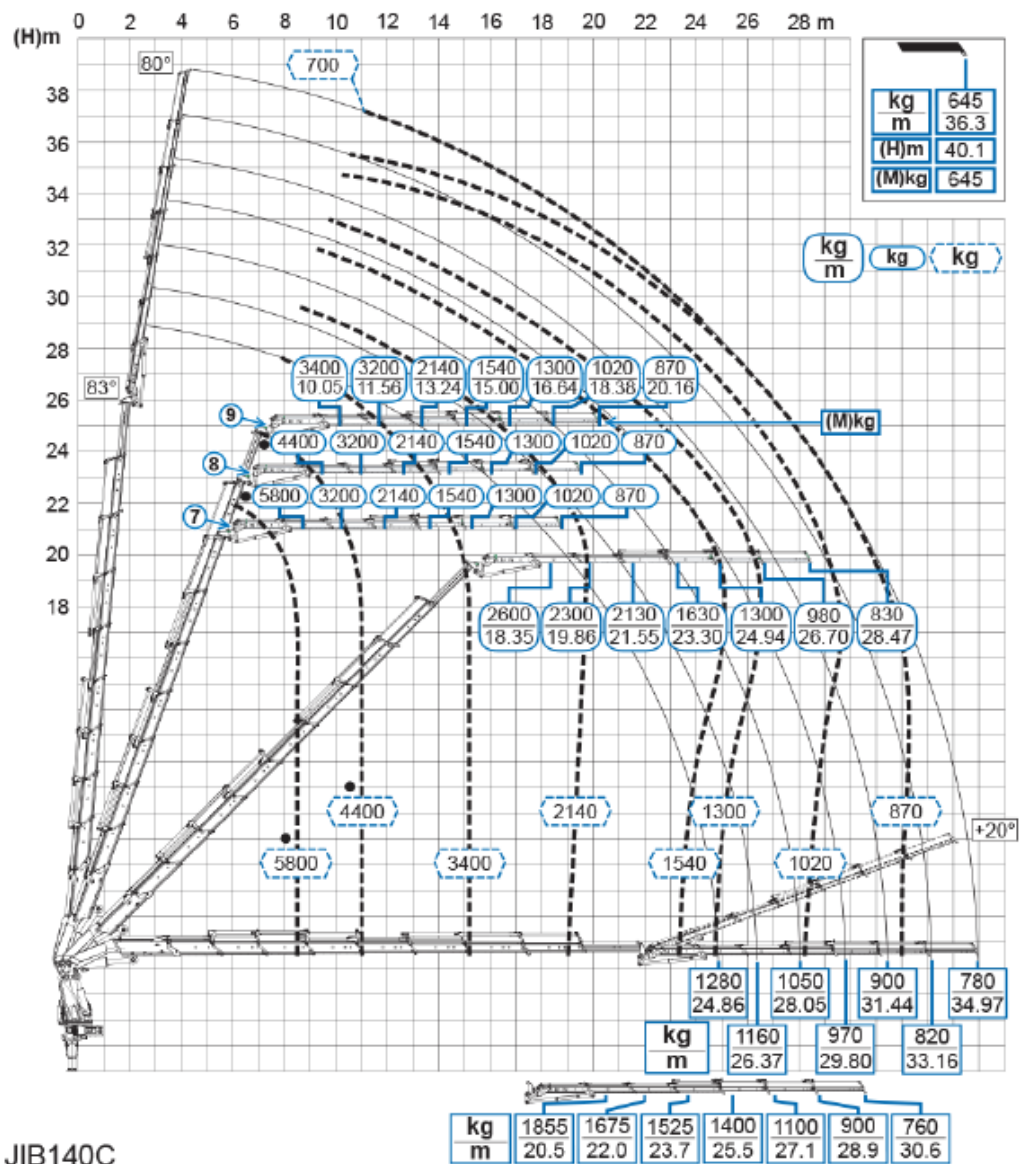


VOLVO FM D11 82R High rear air fixed tag FM 82R B1HH -5100 L1EH1


Effer 1000 - Diagram 9S



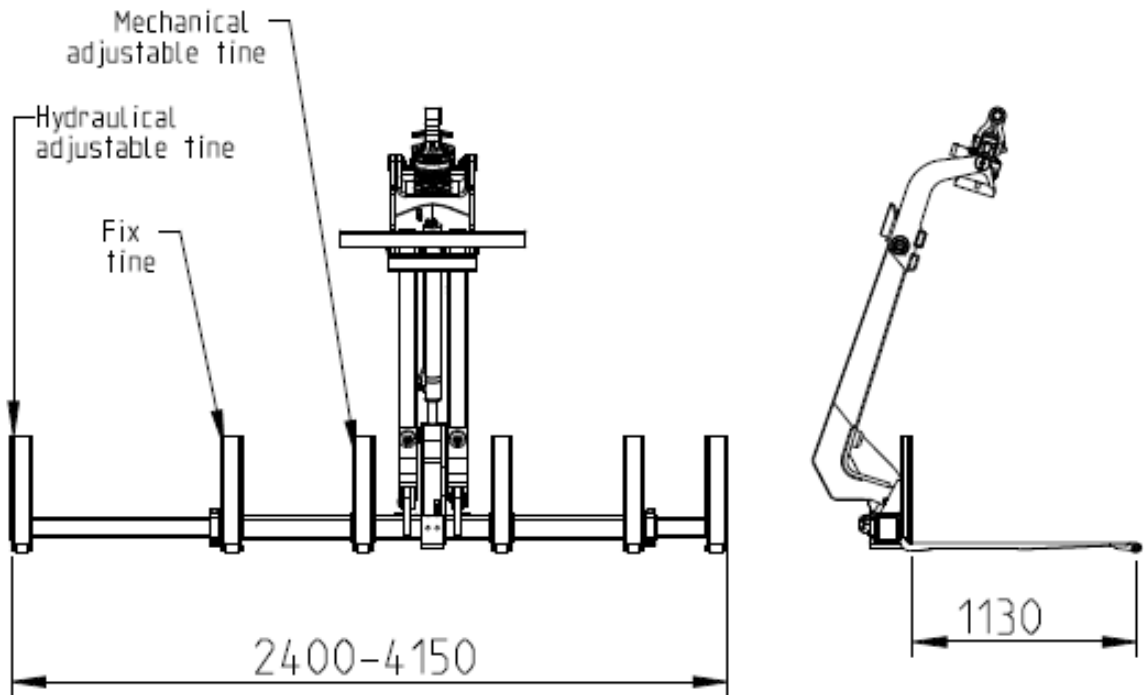
Effer 1000 - Diagram 9S JIB 6S



SPECIFICATION OF PURCHASED PARTS

Description		Partnumber	Revision
PACKAGE WALLBOARD FORK KM 461-2500s		463-6709	0
	Created By	Created Date	Standard
	Modified By	Modified Date	Weight (kg)
		Surface Treatment	Lifecycle State
			Released

Sheet: 1/1



Technical specifications:
 Payload: 2500 kg
 Fork adjustment: 2400-4150 mm
 Package height: 1370 mm (54")
 Package with: 460 mm (18")
 Operating pressure: 175 bar
 -2x Hydraulic fork adjustment
 -2x Mechanical fork adjustment
 -2x Tines in fixed position



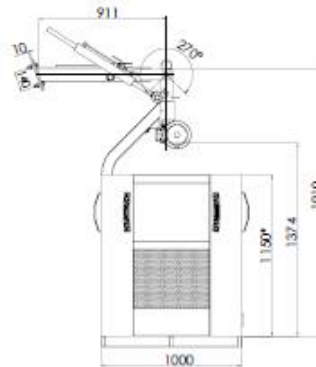
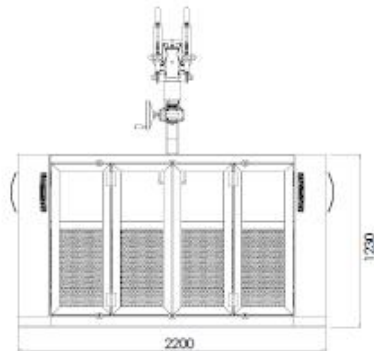
Package with:
 KM 461-2500s Wallboard fork 463-4508
 Rotator with link 338-0033
 Hoses 4 x 463-6708
 Switch valve hand lever 463-6707

Steady Basket Ferrari Sky 5 slide opening



► Possibilità di installare sistema di autobilanciamento - **Kit SKY AUTO**
 Possibility to install self levelling system - **Kit SKY AUTO**

SKY 5 400 INSIDE DOOR ACCIAIO STEEL	1000x2200x1230 mm	360° CONT	220 Kg	400 Kg	1 Kv	4
SKY 5 400 SLIDE OPENING ACCIAIO STEEL	1000x2200x1230 mm	360° CONT	250 Kg	400 Kg	1 Kv	4



*Dal piano di calpestio
 *inside the basket

